



Figure shows configuration variant

## HIGHLIGHTS

- Integrated PC-Box Intel® Core™ i3/i5/i7 (Skylake) or display only variant
- Minimal footprint, perfect for retail
- Optional integrated imager, thermal printer, card dispenser etc.
- Different mounting options available (standalone, freestanding, wallmount)
- Full HD display (1920x1080)



polytouch® 32 curve (upper position) rear view with WiFi-antenna and black inlays

# polytouch® 32 curve

## Overview

### DISPLAY

Screen size	82 cm (32")
Resolution	1920x1080 (Full HD)
Brightness	500 cd/m <sup>2</sup>
Contrast	3000:1
Viewing angle	178° h/v
Bonding	Optical bonding
Coating	Glare/Anti-Glare
Display orientation	Portrait and landscape
Connector	HDMI, DVI, VGA, LVDS

### TOUCHSENSOR

Touch technology	Projected Capacitive Touch (PCT)
Simultaneous touches	10 touches

### CHASSIS

Material	Stainless steel, powder coated
Dimensions (H x W x D)	791 x 486 x 78 mm / 31.14 x 19.13 x 3.07 inch
Weight	Display only ..... approx. 22 kg PC Box ..... approx. 5 kg Display + PC-Box + VESA standard (=Wallmount) ..... approx. 32/42 kg (net/gross)
Mounting	Pedestal, VESA standard 300 x 300, Wallmount
Frame colours/material	RAL 9005 (black) <b>DEFAULT</b> RAL 9010 (white) RAL customer specific Real wood

# polytouch® 32 curve

## Overview

### COMPUTER UNIT (PC-BOX)

Processor	Intel® Core™ i3/i5/i7 Skylake
Chipset	Intel® Q170 Chipset
Graphics	Intel® HD530 Graphics
Memory	up to 16 GB
Storage	up to 256 GB
LAN	2 x 1GbE LAN WiFi-antenna
OS	Windows 10 (32/64 Bit), Ubuntu Linux, Android
Interfaces	1 x DC-out 4 x USB 2.0 4 x USB 3.0 2 x COM 2 x RJ45 1 x DisplayPort

### POWER (INCL. PC-BOX)

Power supply	Internal, max. 350 W, active cooling
Power input	max. 272 W
Input voltage	100-240 V AC, 50-60 Hz

### POWER (DISPLAY ONLY)

Power input	max. 45 W
Input voltage	24 V

### PEDESTAL

Material	Steel, powdercoated
Dimensions (HxWxD)	1730 x 780 x 500 mm/68.11 x 30.71 x 19.69 inch (upper position) 1650 x 780 x 500 mm/64.96 x 30.71 x 19.69 inch (lower position) 1450 x 485 x 275 mm/57.09 x 19.09 x 10.83 inch (Wallmount)
Weight pedestal	Approx. 80 kg
Weight pedestal + display	Approx. 110 kg
Mounting	Stand-alone Freestanding Wallmount
Colour	RAL 9005 (black) <b>DEFAULT</b> RAL 9010 (white) RAL customer specific
Inlay colour	RAL 9005 (black) RAL 9010 (white) <b>DEFAULT</b> RAL customer specific Real wood RGB LED (16 million colours)
Display angle	20°

### OPTIONAL COMPONENTS

Printer	80 mm/3.15 inch thermal printer 60 mm/2.36 inch thermal printer 80 mm/3.15 inch roll diameter	e.g. Nippon NP-K3510A-2 (others on request)
Scanner/Imager	1D/2D Barcode/QR-code scanner Passport scanner	e.g. Honeywell N5680SR (others on request) e.g. Desko Penta Cube (others on request)
Payment module		e.g. Ingenico iPP480 (others on request)
Cashbox	Note recycler Coin recycler	Storage for 500 notes 1500 pcs. (1 €) coin storage (other currencies on request)
Card dispenser		e.g. Quio CRT-571 (others on request)
Card printer		e.g. Zebra ZC100 (others on request)
Audio Nav Keypad		e.g. StormATP AudioNav (others on request)

# polytouch<sup>®</sup> 32 curve

## Overview

### OPTIONAL COMPONENTS

RFID/NFC	e.g. IDTronic OEM-HF-R830-USB (others on request)
Camera	e.g. Intel <sup>®</sup> RealSense D415 (others on request)
Industrial Stainless Steel Keyboard	
Microphone	
Line-Out	
USB	
Scanner shelf	
Bag shelf	
Bumper	
Customer specific labeling (area on request, example see drawing on page 5)	
Customer specific printing (area on request, example see drawing on page 5)	

### CERTIFICATIONS

CE, further certifications on request
---------------------------------------

# polytouch<sup>®</sup> 32 curve configuration variants



polytouch<sup>®</sup> 32 curve (Wallmount) with scanner and printer



polytouch<sup>®</sup> 32 curve (upper position) with scanner shelf (p.ex. for mobiles)

os\_pt32\_curve\_EN · 18.03.20 · specification is subject to change

## polytouch<sup>®</sup> 32 curve configuration variants



polytouch<sup>®</sup> 32 curve (upper position) front view with white inlays and baseplate



polytouch<sup>®</sup> 32 curve (lower position) side view with real wood inlays/frame and baseplate



polytouch<sup>®</sup> 32 curve (freestanding) with camera, microphone, blue RGB LED inlays and lettering (label)

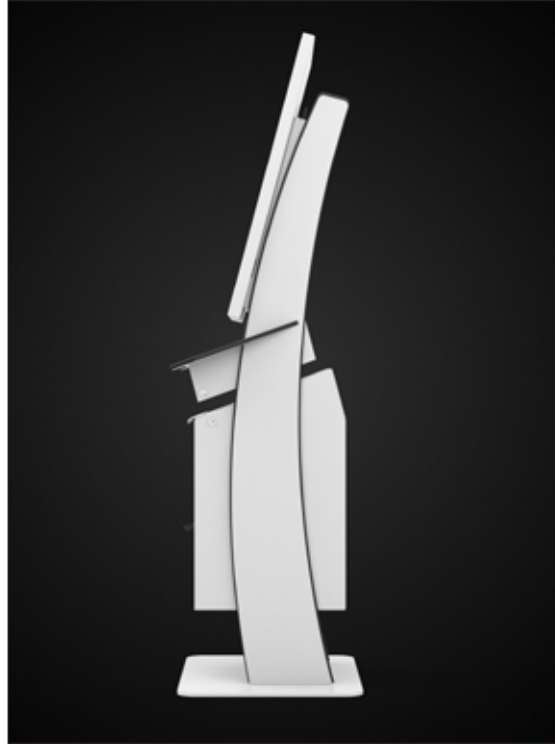


polytouch<sup>®</sup> 32 curve (upper position) with scanner, printer, bag shelf, bumper real wood frame and inlays

## polytouch<sup>®</sup> 32 curve configuration variants



polytouch<sup>®</sup> 32 curve with control panel, housing with printer, gift card dispenser and keyboard



polytouch<sup>®</sup> 32 curve side view with control panel, housing with printer, gift card dispenser and keypad



polytouch<sup>®</sup> 32 curve with real wood frame, control panel, inlays & baseplate



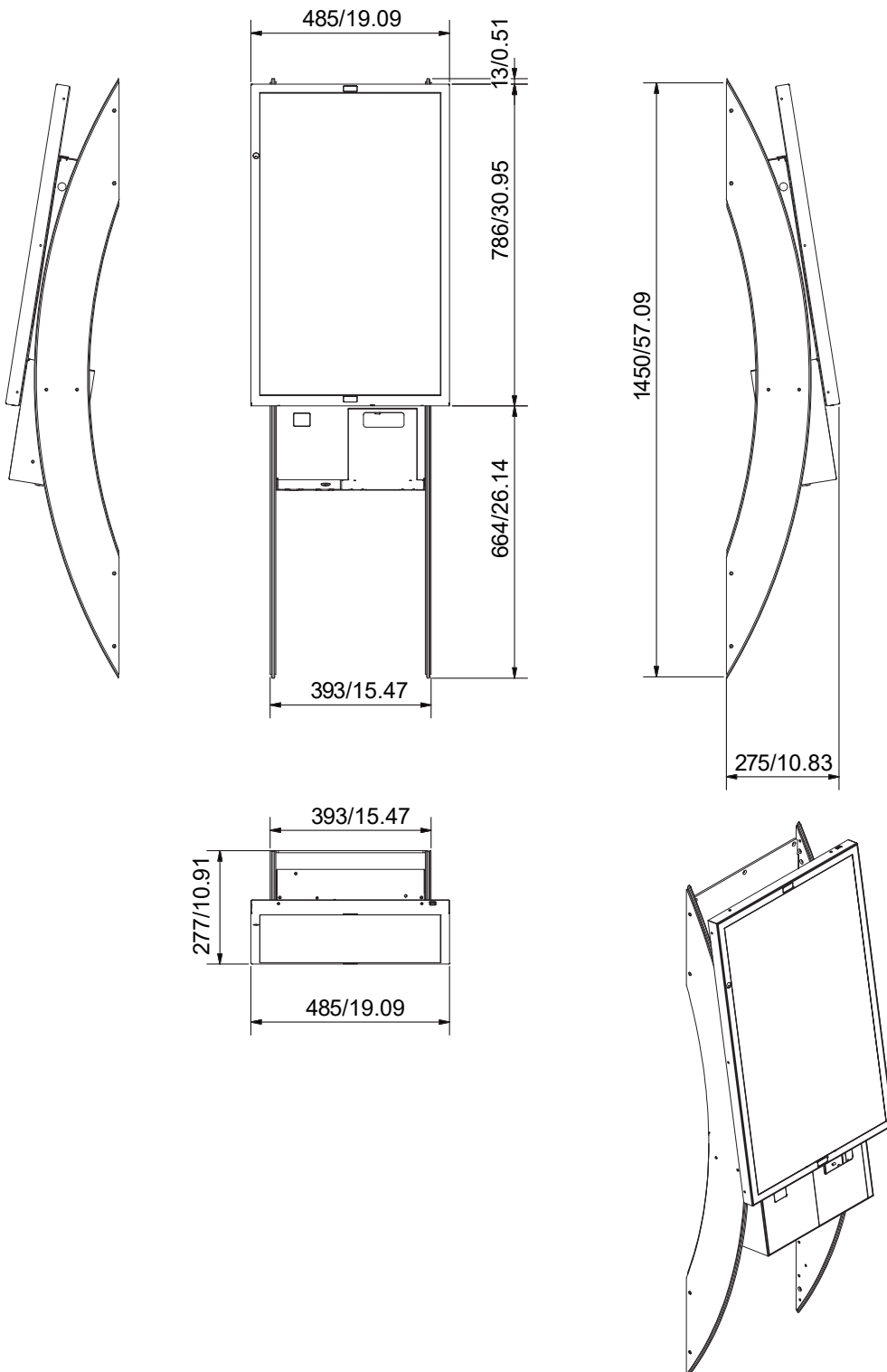
polytouch<sup>®</sup> 32 curve with lettering of the pedestal (label)

# polytouch<sup>®</sup> 32 curve

## MOUNTING OPTION wallmount

### Dimensions (in mm/inch)

Figure shows configuration variant

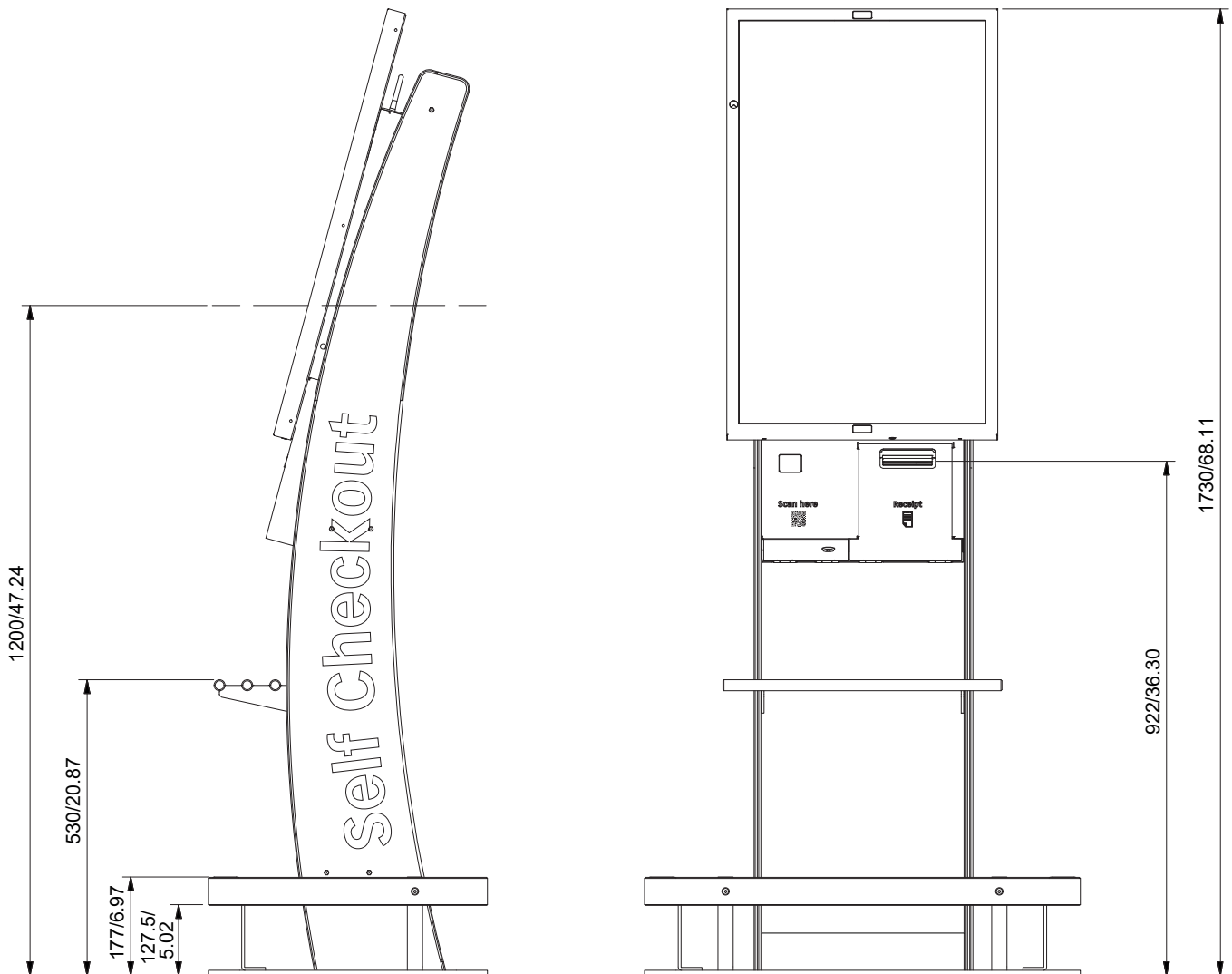


# polytouch<sup>®</sup> 32 curve

## MOUNTING OPTION stand-alone

### Dimensions (in mm/inch)

Figure shows configuration variant



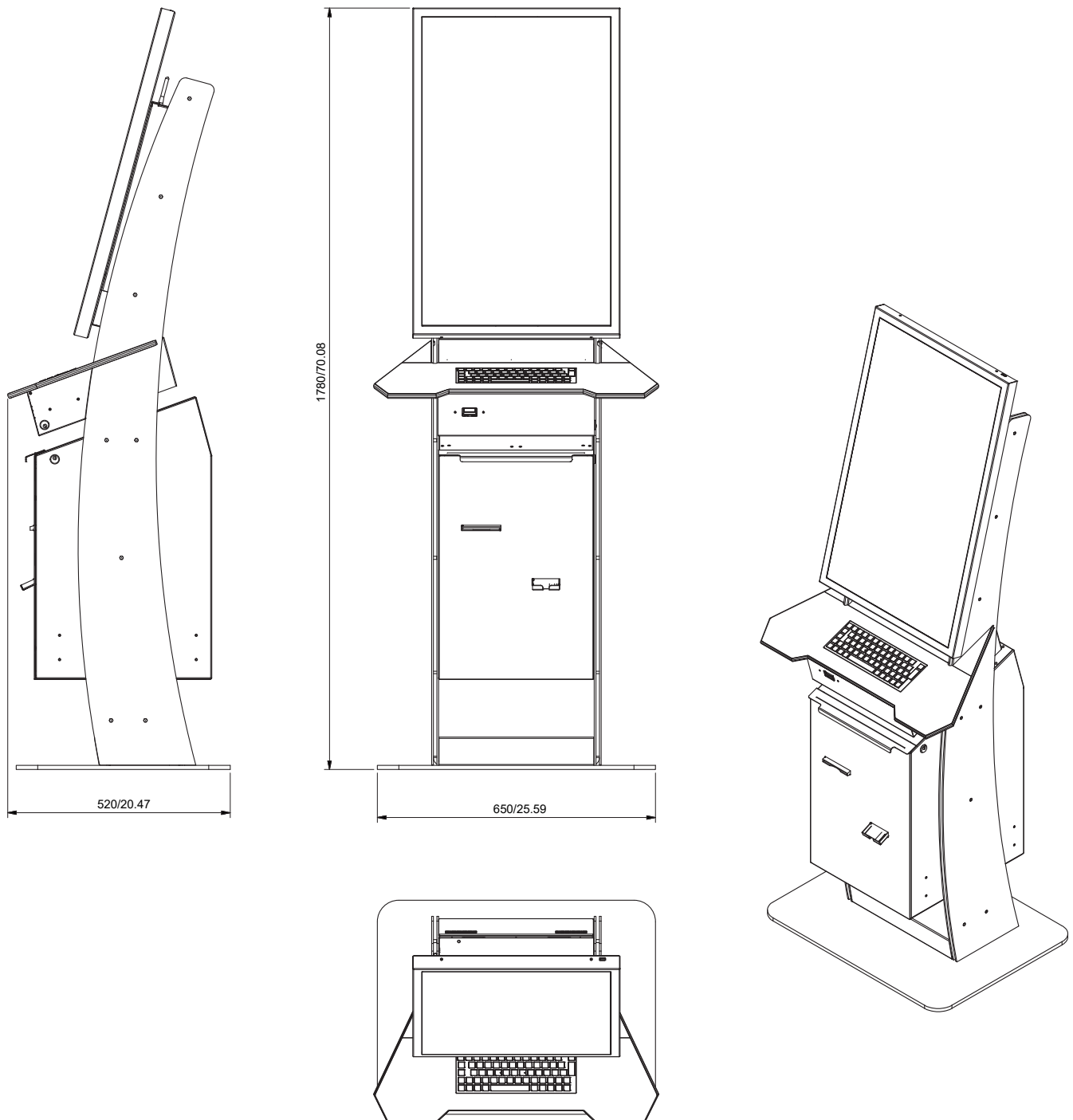
polytouch<sup>®</sup> 32 curve incl. body, bag shelf, bumper and baseplate

# polytouch<sup>®</sup> 32 curve

## MOUNTING OPTION stand-alone

### Dimensions (in mm/inch)

Figure shows configuration variant



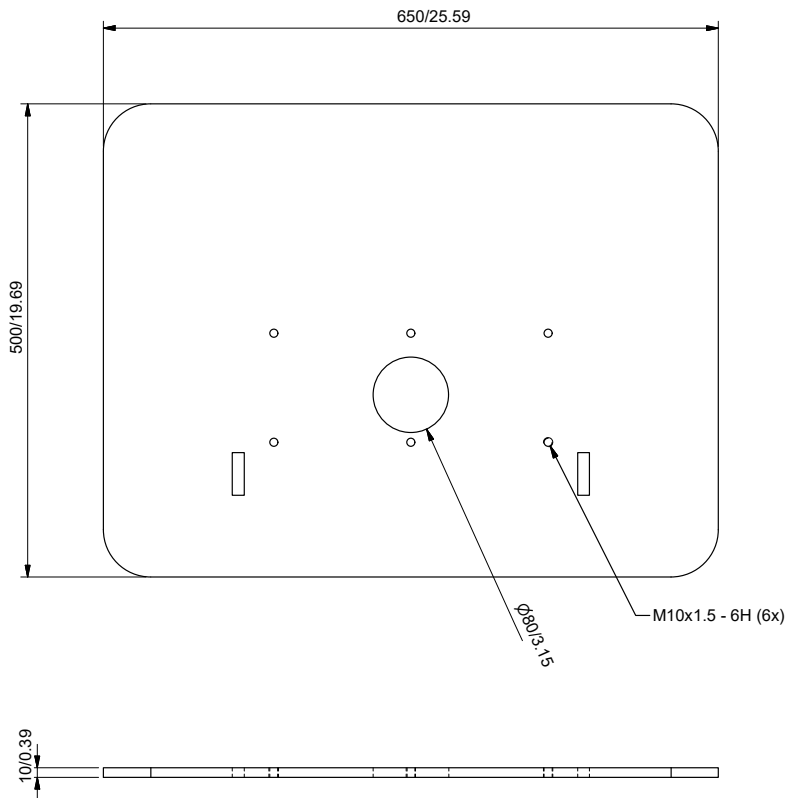


# polytouch<sup>®</sup> 32 curve

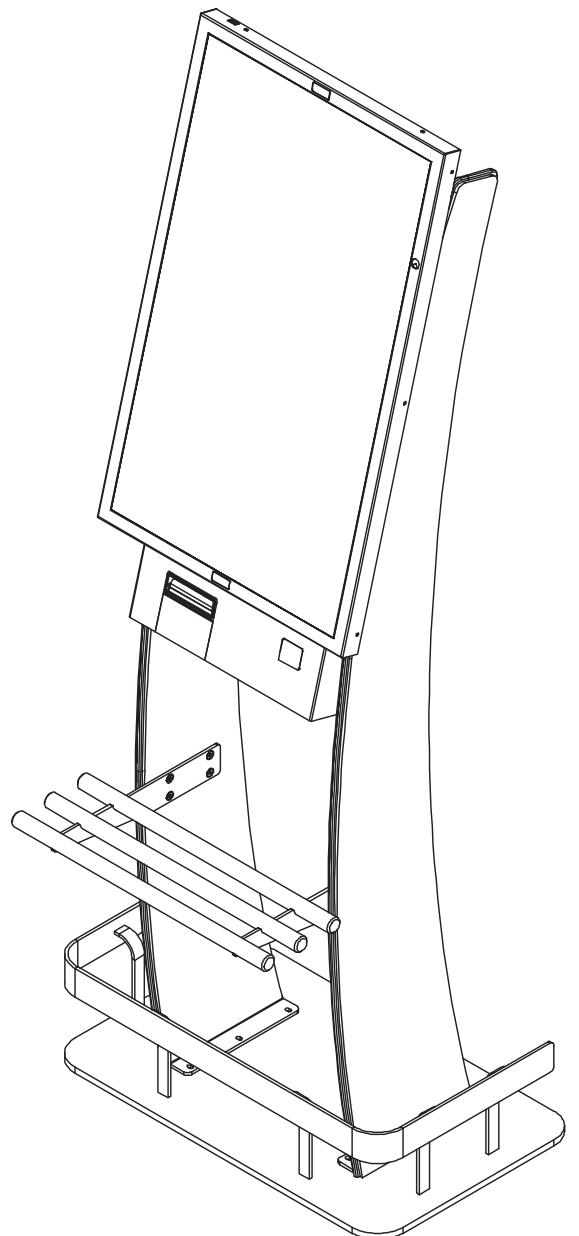
## **MOUNTING OPTION** stand-alone (=with baseplate)

### Dimensions (in mm/inch)

Figure shows configuration variant



**polytouch<sup>®</sup> 32 curve stand-alone  
 incl. baseplate isometric view**

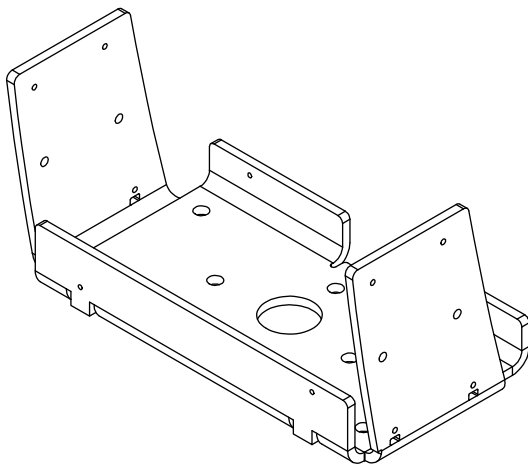
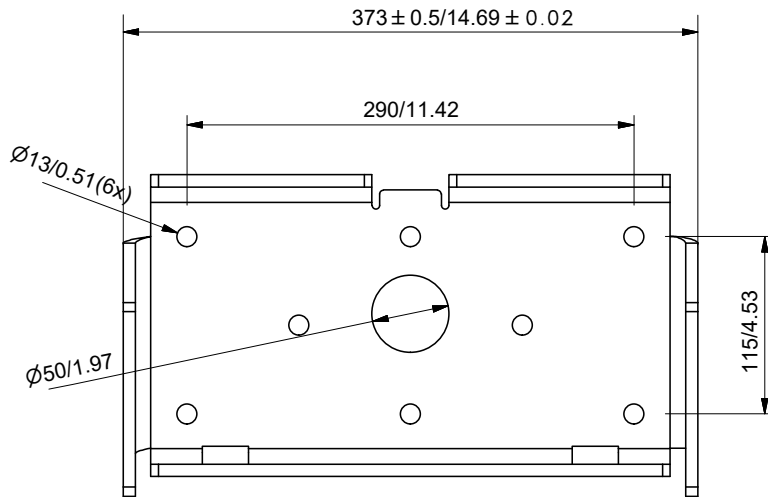


# polytouch<sup>®</sup> 32 curve

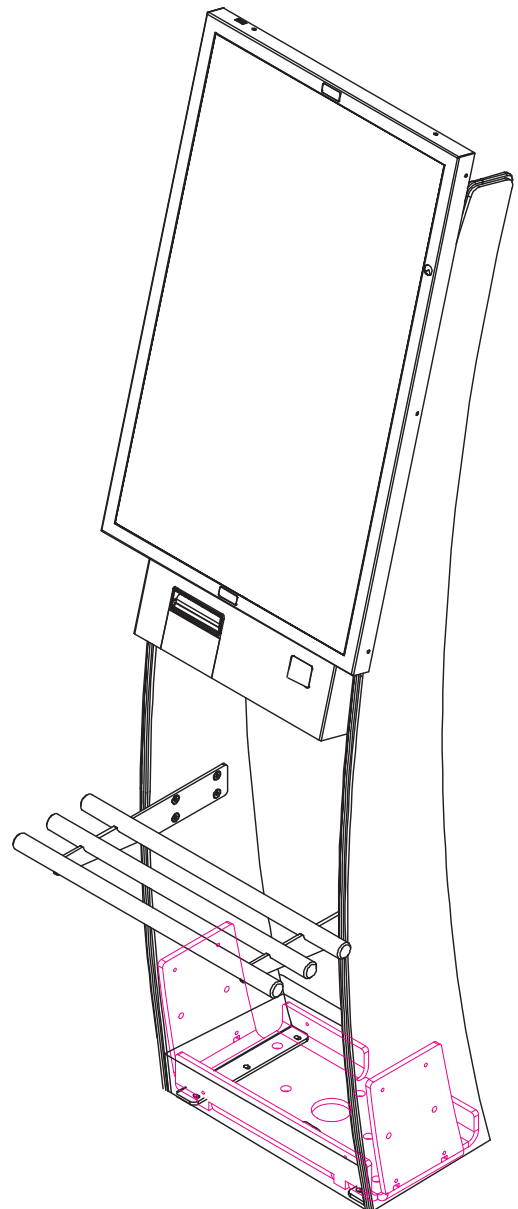
## MOUNTING OPTION freestanding (=without baseplate)

### Dimensions (in mm/inch)

Figure shows configuration variant



polytouch<sup>®</sup> 32 curve freestanding isometric view



# polytouch<sup>®</sup> 32 display only

## MOUNTING OPTION VESA brackets

### Dimensions (in mm/inch)

Figure shows configuration variant

